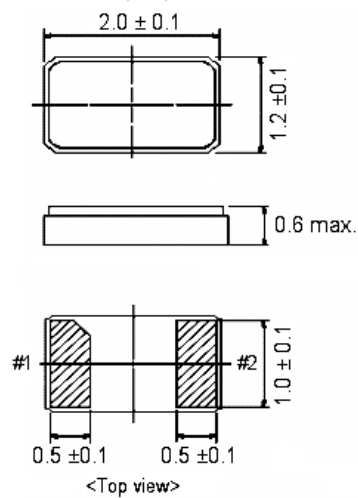


## Tuning Fork Crystal

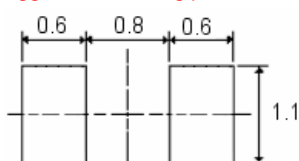
SMD-version

part no.	12.xxxxx
model	KX-327RT
frequency	32.768 kHz
operating temperature	-40° ~ +85°C
frequency tolerance (df/F) at +25°C ± 3°C	standard ± 20 ppm available ± 10 ppm
temperature tolerance (parabolic coefficient)	-0.036 ppm ± 0.01/°C <sup>2</sup> typ.
turnover temperature	+25°C ± 5°C
storage temperature range	-55°C ~ +125°C
load capacitance C <sub>L</sub>	12.5 pF
motional capacitance( C <sub>1</sub> )	7,0 pF typ.
series resonance R1	60k Ohm typ., 70k Ohm max.
aging (df/F) (first year) at 25°C ± 3°C max.	± 3 ppm
shunt capacitance C <sub>0</sub>	1.3 pF typ.
drive level	0.5 μW typ.
contents of reel	5000 pcs.

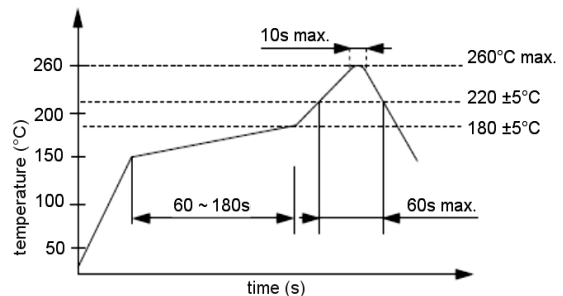
### Dimensions (mm):



### Suggested soldering pad:



### Reflow soldering condition:



### Tape specification:

