

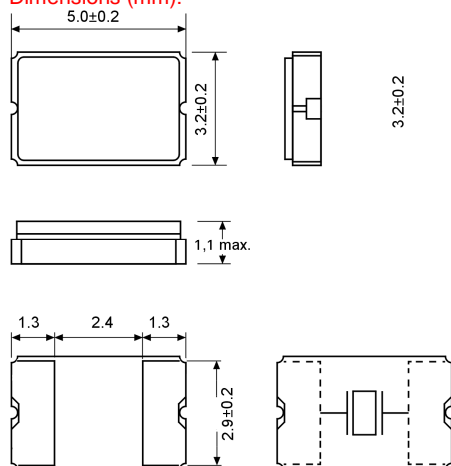


Quartz Crystal

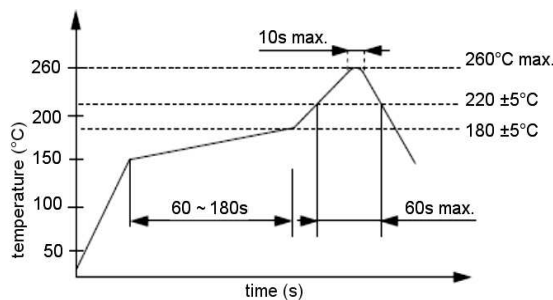
SMD-version

model	KX – 9B		
frequency range	8,0 ~ 50,0 MHz		
mode	fundamental		
operating temperature	standard	-20° ~ + 70°C	
	available	-40° ~ + 85°C (=KX-9BT)	
	available	-40° ~ +105°C (=KX-9BE)	
frequency tolerance at +25°C	standard ± 50 ppm available ± 10 ~ ± 50 ppm		
temperature tolerance -20° ~ + 70°C -40° ~ + 85°C -40° ~ +105°C	standard	± 50 ppm, available ±10 ~ ± 50 ppm	
	standard	±100 ppm, available ±20 ~ ± 100 ppm	
	standard	±120 ppm, available ±30 ~ ± 120 ppm	
load capacitance C_L	standard 16 pF available 10 ~ 20 pF		
series resonance R1 max.	fundamental	8,0 ~ 16,0 MHz	100 Ohm
		16,1 ~ 20,0 MHz	60 Ohm
		20,1 ~ 50,0 MHz	40 Ohm
aging at +25°C (first year) max.	± 2 ppm		
shunt capacitance C_0 max.	5,0 pF		
drive level in mW max.	0,1		
contents of reel	1000 pcs.		
part no.	12.xxxxx		

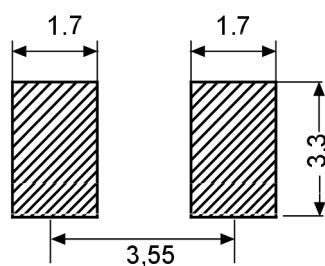
Dimensions (mm):



Reflow soldering condition:



Suggested soldering pad:



Tape specification:

