

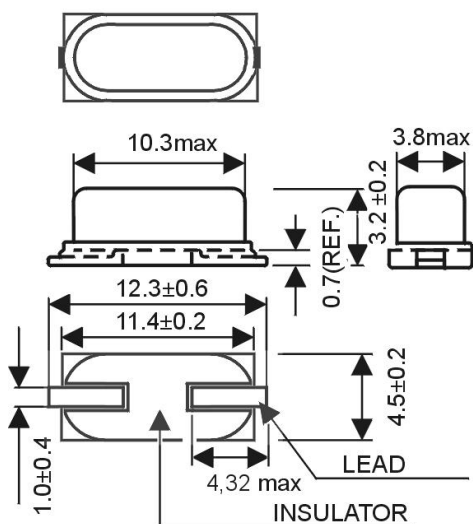


## Quartz Crystal

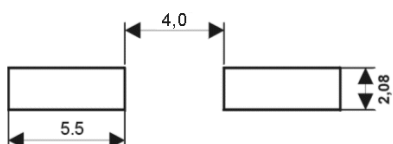
SMD-version

|   |  |  |
|---|--|--|
| model   | KX - KS  |  |
| frequency range                                       | 3,50 ~ 70,0 MHz  |  |
| mode  | fundamental, 3 <sup>rd</sup> overtone  |  |
| operating temperature                                 | standard -20° ~ +70°C<br>available -40° ~ +85°C (=KX-KST)                                      |  |
| frequency tolerance at +25°C                          | standard ± 30 ppm, available ± 10 ~ ± 50 ppm   |  |
| temperature tolerance at -20° ~ +70°C<br>-40° ~ +85°C | standard ± 50 ppm, available ± 15 ~ ± 50 ppm<br>standard ± 100 ppm, available ± 25 ~ ± 100 ppm |  |
| load capacitance C <sub>L</sub>                       | standard: 16 pF, avail. 12 ~ 30 pF   |  |
| series resonance R1 max.                              | fundamental  | 3,5 ~ 3,99 MHz 150 Ohm<br>4,0 ~ 5,99 MHz 120 Ohm<br>6,0 ~ 7,99 MHz 80 Ohm<br>8,0 ~ 9,99 MHz 60 Ohm<br>10,0 ~ 40,0 MHz 50 Ohm |
|   | 3 <sup>rd</sup> overtone   | 35,0 ~ 39,99 MHz 100 Ohm<br>40,0 ~ 49,99 MHz 80 Ohm<br>50,0 ~ 70,0 MHz 50 Ohm  |
| aging at +25°C (first year) max.                      | ± 2 ppm  |  |
| shunt capacitance C <sub>0</sub> max.                 | 7,0 pF   |  |
| drive level max.                                      | 0,1 mW   |  |
| contents of reel                                      | 1000 pcs.  |  |
| part no.  | 12.xxxxx   |  |

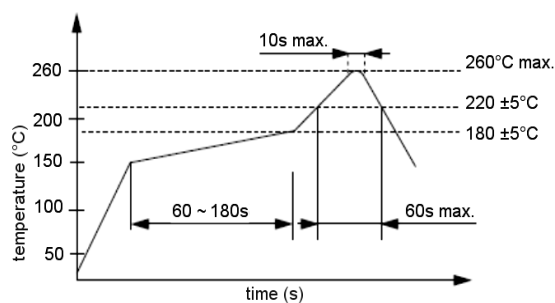
### Dimensions (mm):



### Suggested soldering pad:



### Reflow soldering condition:



### Tape specification:

