



Ceramic Resonator

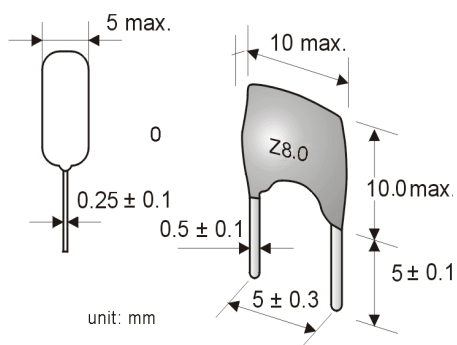
KX-ZTA series

None capacitor type

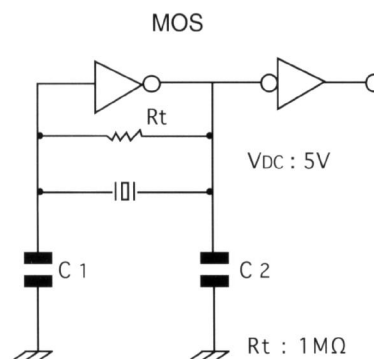
model	KX-ZTA MT
frequency range	6,01 ~ 13,0 MHz
external capacitance C ₁ , C ₂	30 pF
frequency tolerance at +25°C	± 0,5%
frequency stability at -20° ~ +80°C	± 0,3%
aging for 10 years	±0,3%
resonant resistance max.	30 Ohm
test circuit IC	for MOS: 1/6 TC 4069UBPx2 for TTL: 1/6 TC 74HCU04Px2
packing unit	500 pcs.
part no.	12.xxxxx

Please note for Ceramic Resonators our „Precautions for Handling“

Dimensions (mm):



Test circuit:



Test circuit:

