



# Ceramic Resonator

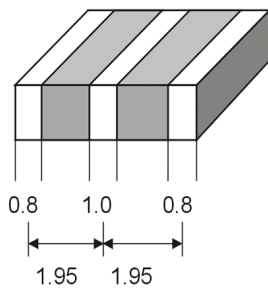
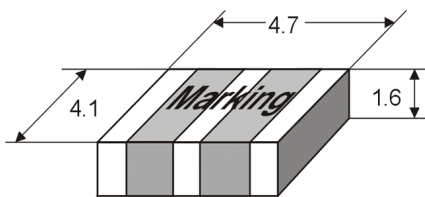
SMD-version  
KX-ZTT C series

Built-in capacitor types

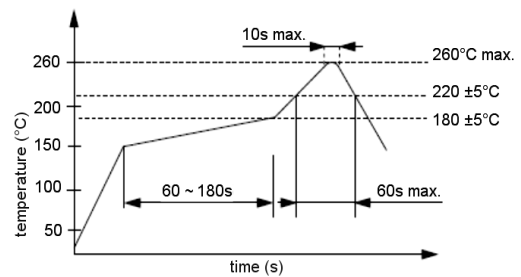
model	KX-ZTT CS MT
frequency range	6,0 ~ 13,0 MHz
internal capacitance C <sub>1</sub> , C <sub>2</sub>	22 pF
frequency tolerance at +25°C	± 0,5%
frequency stability at -20° ~ +80°C	± 0,4%
aging for 10 years	± 0,4%
resonant resistance (max.)	30 Ohm
test circuit IC	CD 4069 UBPX2
contents of reel	1000 pcs.
part no.	12.xxxxx

Please note for Ceramic Resonators our „Precautions for Handling“.

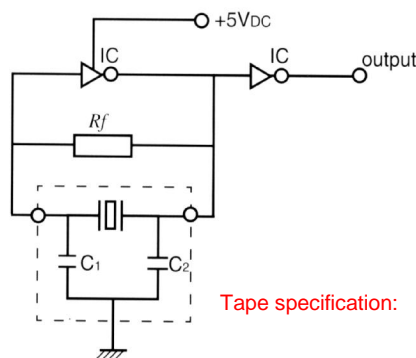
Dimensions (mm):



Reflow soldering condition:



Test circuit7



Tape specification:

Suggested soldering pad:

