

Ceramic Resonator

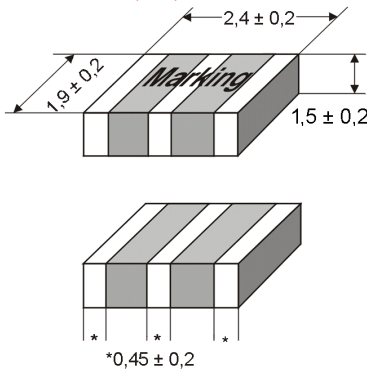
Built-in capacitor types

SMD-version
KX-ZTT C series

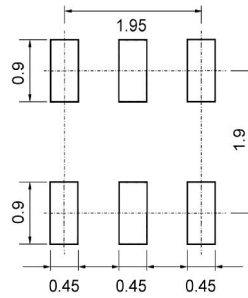
model	KX-ZTT CW	
frequency range	16,0 ~ 19,99 MHz	20,0 ~ 50,0 MHz
internal capacitance C ₁ , C ₂	10 pF	20,0 ~ 25,99 MHz 10 pF 26,0 ~ 50,0 MHz 6 pF
frequency tolerance at +25°C	± 0,5%	
frequency stability at -20° ~ +80°C	± 0,3%	
aging for 10 years	± 0,3%	
resonant resistance max.	16,0 ~ 25,99 MHz 60 Ohm 26,00 ~ 50,0 MHz 50 Ohm	
test circuit IC	74 HCU04 AP (Toshiba)	
contents of reel	3000 pcs.	
part no.	12.xxxxx	

Please note for Ceramic Resonators our „Precautions for Handling“.

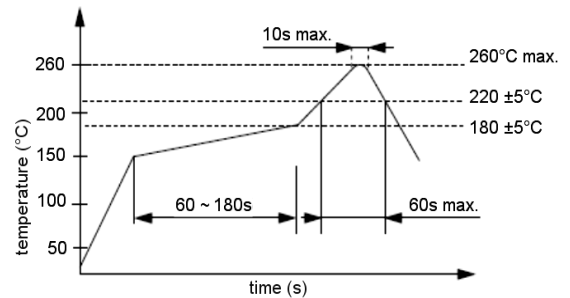
Dimensions (mm):



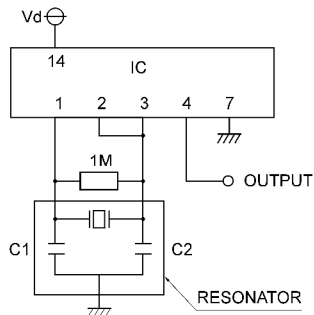
Suggested soldering pad:



Reflow soldering condition:



Test circuit:



Tape specification:

