

Ceramic Resonator

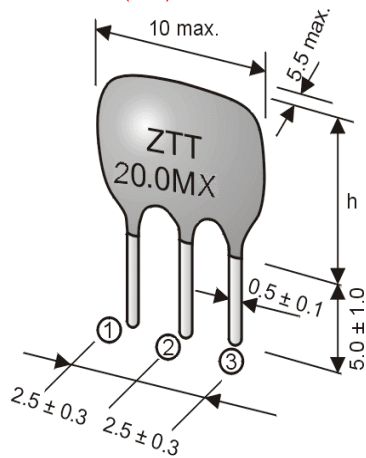
KX-ZTT series

Built-in capacitor types

| | |
|---|---|
| model | KX-ZTT MX |
| frequency range | 13,1 ~ 50,0 MHz |
| internal capacitance C ₁ , C ₂ | 13,1 ~ 20,0 MHz 30 pF 20,1 ~ 25,99 MHz 15 pF 26,0 ~ 50,0 MHz 5 pF |
| frequency tolerance at +25°C | ± 0,5% |
| frequency stability at -20° ~ +80°C | ± 0,3% |
| aging for 10 years | ± 0,3% |
| resonant resistance max. | 30 Ohm |
| test circuit IC | TC 74 HCU04 |
| height (h) max. | 10,0 mm |
| packing unit | 500 pcs. |
| part no. | 12.xxxxx |

Please note for Ceramic Resonators our „Precautions for Handling“.

Dimensions (mm):



CONNECTION

- ① Input
- ② Ground
- ③ Output

Test circuit:

