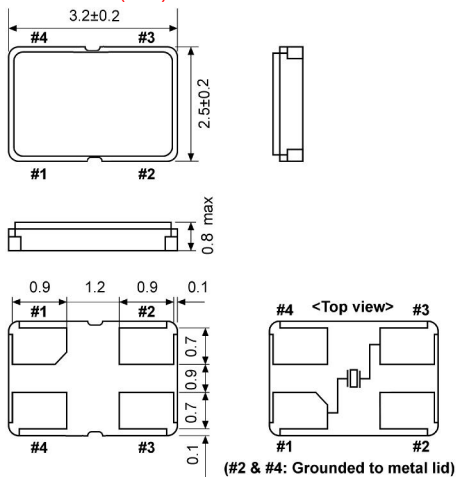


Quartz Crystal

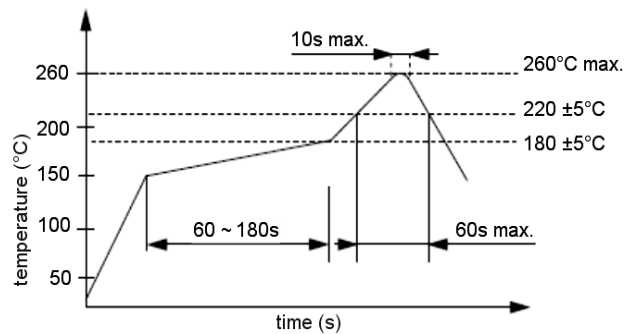
SMD-version

model	KX – 7T
frequency	8,0 MHz
mode	fundamental
operating temperature	-40° ~ + 85°C
frequency tolerance at +25°C	± 30 ppm
temperature tolerance -40° ~ + 85°C	± 100 ppm
load capacitance C_L	12 pF
series resonance R1 max.	500 Ohm
aging at +25°C (first year) max.	± 2 ppm
shunt capacitance C_0 max.	3,5 pF
drive level max.	100 µW
contents of reel	1000 pcs.
part no.	12.60028

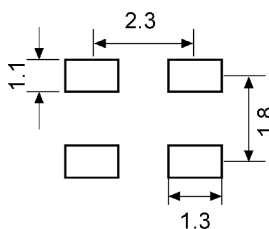
Dimensions (mm):



Reflow soldering condition:



Suggested soldering pad:



Tape specification:

