

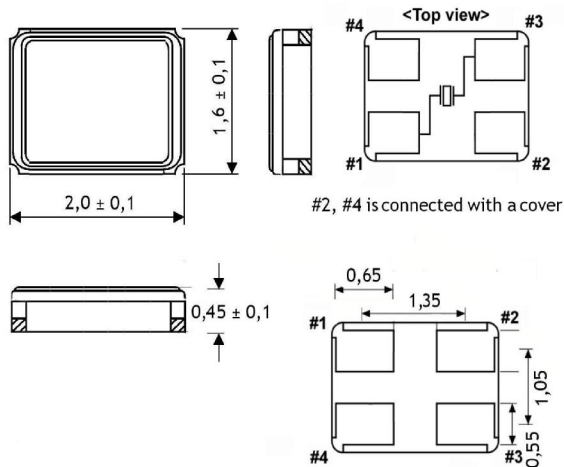


Quartz Crystal

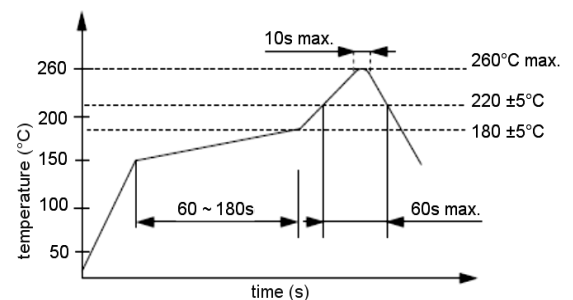
SMD-version

| | |
|---------------------------------------|-----------------------------------|
| model | KX – 5T |
| frequency range | 16,0 MHz |
| mode | fundamental |
| operating temperature | -40° ~ +85°C |
| frequency tolerance at +25°C | ± 10 ppm |
| temperature tolerance -40° ~ +85°C | ±10 ppm |
| load capacitance C_L | 9 pF |
| series resonance R1 max. | 100 Ohm |
| aging at +25°C (first year) max. | ± 2 ppm |
| shunt capacitance C_0 max. | 3,5 pF |
| drive level | 50 μ W typ., 100 μ W max. |
| contents of reel | 1000 pcs. |
| part no. | 12.85544 |

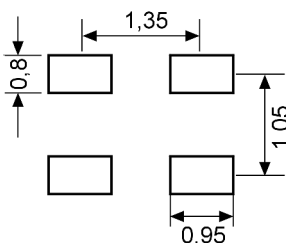
Dimensions (mm):



Reflow soldering condition:



Suggested soldering pad:



Tape specification:

