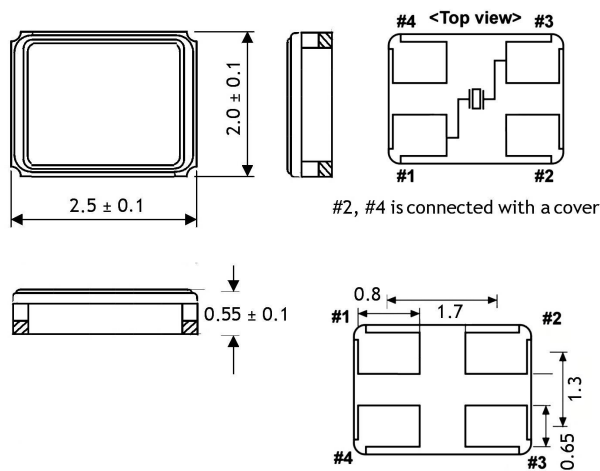


## Quartz Crystal

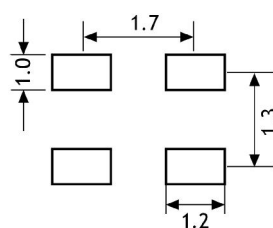
SMD-version

part no.	12.86515
model	KX – 6
frequency	19.66080 MHz
mode	fundamental
operating temperature	-20° ~ +70°C
frequency tolerance at +25°C	±30 ppm
temperature tolerance -20° ~ +70°C	±50 ppm
load capacitance $C_L$	10 pF
series resonance $R_1$ max.	100 Ohm
aging at 25°C ( first year ) max.	±2 ppm
shunt capacitance $C_0$ max.	3.5 pF
drive level max.	50 $\mu$ W typ., 100 $\mu$ W max.
contents of reel	1000 pcs.

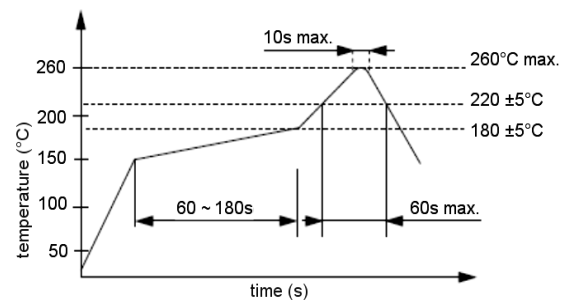
### Dimensions (mm):



### Suggested soldering pad:



### Reflow soldering condition:



### Tape specification:

