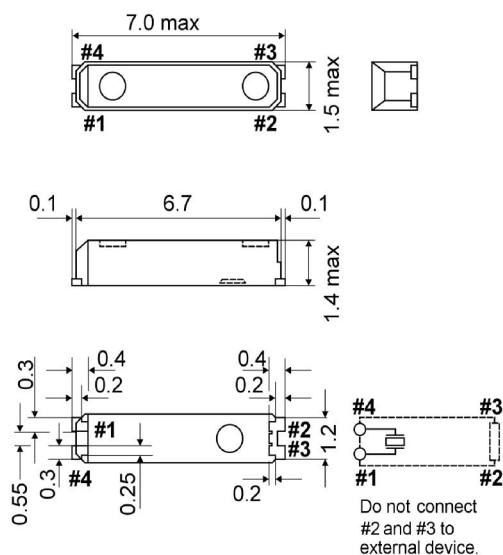




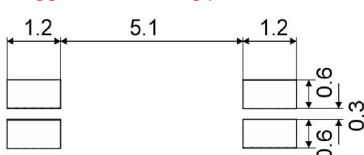
## Quartz Crystal 32,768 kHz SMD-version

|   |  |
|---|--|
| model   | KX – 327LT   |
| frequency   | 32,768 kHz   |
| operating temperature   | -40° ~ +85°C   |
| frequency tolerance at +25°C                                  | ± 20 ppm   |
| temperature tolerance (parabolic coefficient) at -40° ~ +85°C | -0,035 ppm/°C <sup>2</sup> typ., -0,040 ppm/°C <sup>2</sup> max. |
| turnover temperature  | +25°C ± 5°C  |
| load capacitance C <sub>L</sub>                               | 12,5 pF  |
| series resonance R <sub>1</sub> max.                          | 65k Ohm max., 50k Ohm typ.                                       |
| aging at +25°C (first year) max.                              | ± 3 ppm  |
| shunt capacitance C <sub>0</sub> typical                      | 0,8 pF   |
| drive level in mW max.  | 0,001  |
| RoHS  | according to RoHS 2011/65/EU                                     |
| contents of reel  | 3000 pcs.  |
| part no.  | 12.87131   |

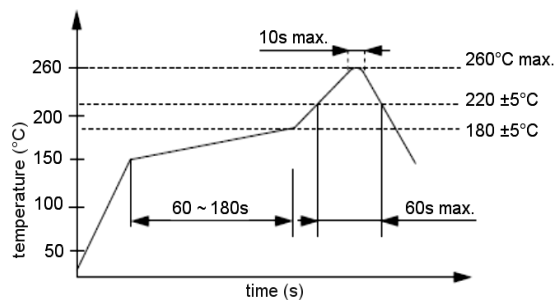
### Dimensions (mm):



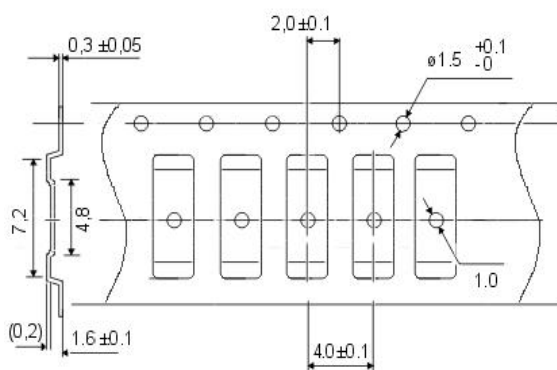
### Suggested soldering pad:



### Reflow soldering condition:



### Tape specification:



reel diameter 180 mm