

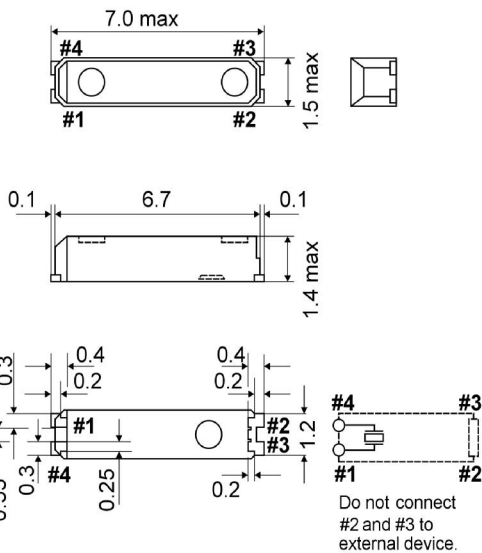


Tuning Fork Crystal

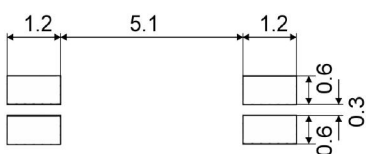
SMD-version

model	KX – 327L
frequency	32.768 kHz
operating temperature	-20° ~ +70°C
frequency tolerance at +25°C	± 20 ppm
temperature tolerance (parabolic coefficient) at -20° ~ +70°C	-0.035 ppm/°C ² typ., -0.040 ppm/°C ² max.
turnover temperature	+25°C ± 5°C
load capacitance C _L	7 pF
series resonance R1 max.	65k Ohm max., 50k Ohm typ.
aging at +25°C (first year) max.	± 3 ppm
shunt capacitance C ₀ typical	0.8 pF
drive level max.	0.001 mW
contents of reel	3000 pcs.
part no.	12.87132

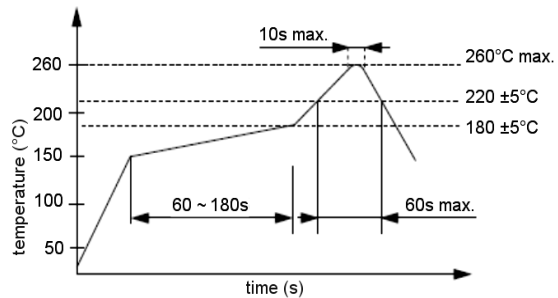
Dimensions (mm):



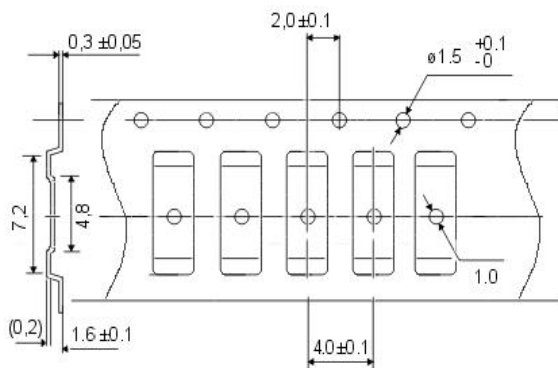
Suggested soldering pad:



Reflow soldering condition:



Tape specification:



reel diameter 180 mm