



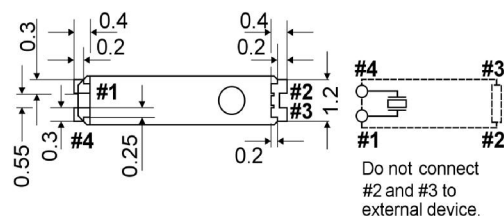
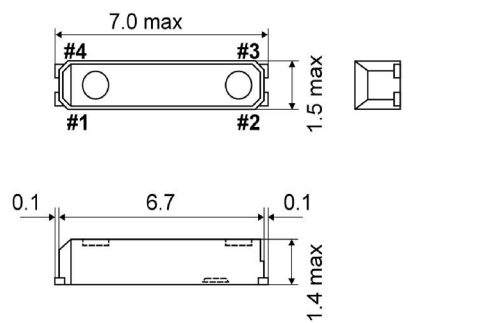
Quartz Crystal

32,768 kHz

SMD-version

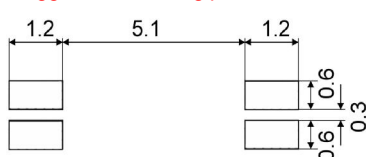
model	KX – 327L
frequency	32,768 kHz
operating temperature	-20° ~ +70°C
frequency tolerance at +25°C	± 10 ppm
temperature tolerance (parabolic coefficient) at -20° ~ +70°C	-0,035 ppm/°C ² typ., -0,040 ppm/°C ² max.
turnover temperature	+25°C ± 5°C
load capacitance C _L	7 pF
series resonance R ₁ max.	65k Ohm max., 50k Ohm typ.
aging at +25°C (first year) max.	± 3 ppm
shunt capacitance C ₀ typical	0,8 pF
drive level in mW max.	0,001
RoHS	according to RoHS 2011/65/EU
contents of reel	3000 pcs.
part no.	12.87134

Dimensions (mm):

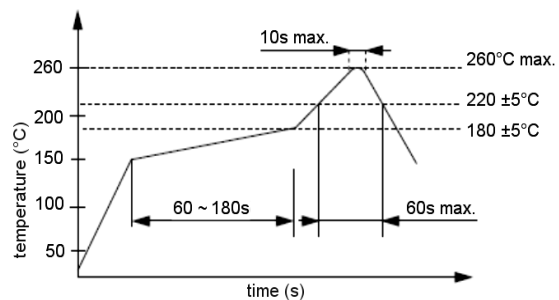


Do not connect #2 and #3 to external device.

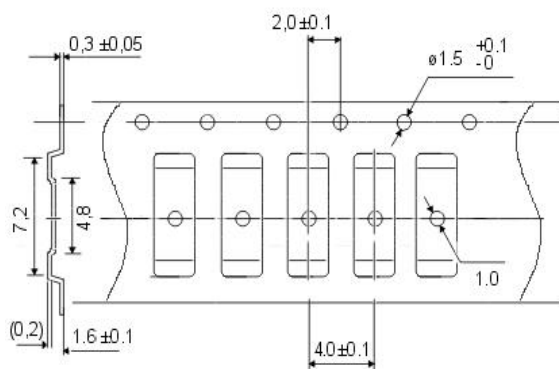
Suggested soldering pad:



Reflow soldering condition:



Tape specification:



reel diameter 180 mm