

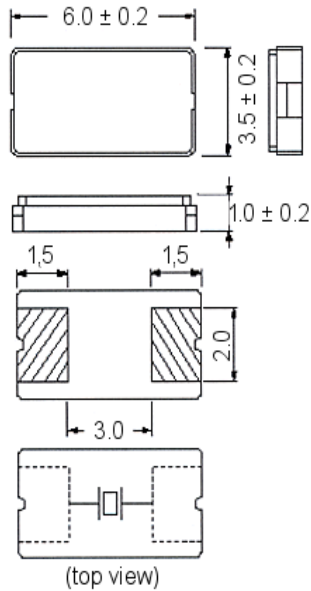


Quartz Crystal

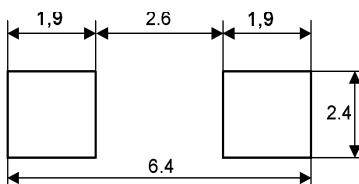
SMD-version

| | |
|-------------------------------------|------------------------------|
| model | KX – 12B |
| frequency | 8,0 MHz |
| mode | fundamental |
| operating temperature | -20° ~ + 70°C |
| frequency tolerance at +25°C | ± 30 ppm |
| temperature tolerance -20° ~ + 70°C | ± 50 ppm |
| load capacitance C_L | 16 pF |
| series resonance R_1 max. | 150 Ohm |
| aging at 25°C (first year) max. | ± 2 ppm |
| shunt capacitance C_O max. | 7,0 pF |
| drive level in mW | 0,05 |
| contents of reel | 1000 pcs. |
| RoHS | according to RoHS 2011/65/EU |
| part no. | 12.87712 |

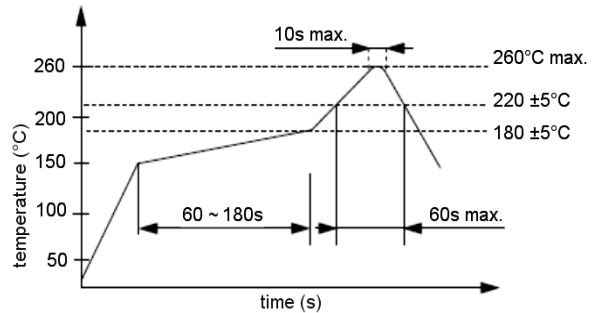
Dimensions (mm):



Suggested soldering pad:



Reflow soldering condition:



Tape specification:

