

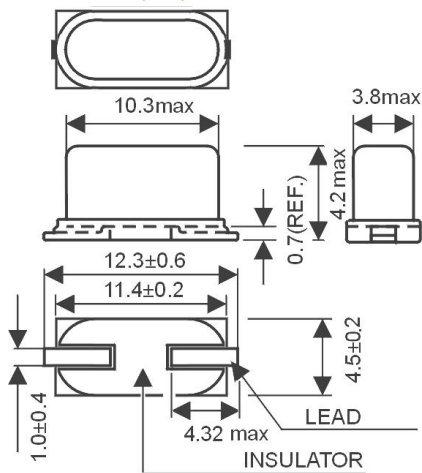


## Quartz Crystal

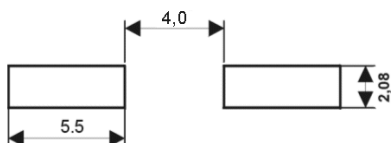
SMD-version

model	KX - KT
frequency	16,0 MHz
mode	fundamental
operating temperature	-40° ~ + 85°C
frequency tolerance at +25°C	± 30 ppm
temperature tolerance at -40° ~ +85°C	± 100 ppm
load capacitance $C_L$	16 pF
series resonance $R_1$ max.	50 Ohm
aging at 25°C (first year) max.	± 2 ppm
shunt capacitance $C_0$ max.	7,0 pF
drive level	0,1 mW
contents of reel	1000 pcs.
part no.	12.88131

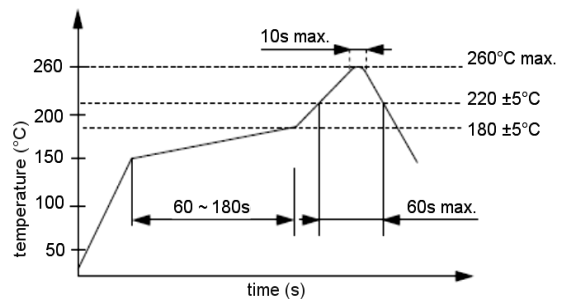
### Dimensions (mm):



### Suggested soldering pad:



### Reflow soldering condition:



### Tape specification:

